

Product data sheet

Characteristics

MJA264002

Circuit Breaker, PowerPact M, I-Line, electronic trip, 400A, 2 pole, 25 kA, 600 VAC, lugs load end, AC phasing



Price*: 8253.00 USD



Main

Product or component type	Circuit breaker
Range of product	PowerPact M
Breaking capacity code	J
Trip unit technology	Electronic, basic, ET 1.0, LI

Complementary

Current sensor rating range	400 A
Line Rated Current	400 A
[Ue] rated operational voltage	600 V AC
Mounting mode	I-Line
Poles description	2P
Breaking capacity	100 KA 240 V AC 65 KA 480 V AC 25 KA 600 V AC
Circuit breaker type	M-frame
Continuous current rating	80 %
Electrical connection	I-Line connection line Lugs load
Magnetic tripping current	800...4000 A
Terminal identifier	AL800M23K
AWG gauge	AWG 3/0...500 kcmil aluminium/copper)3
Tightening torque	442.54 Lbf.In (50 N.m) 0.15...0.37 in ² (95...240 mm ²) (AWG 3/0...500 kcmil)
Height	12.86 In (326.6 mm)
Width	0.32 In (8.06 mm)
Depth	8.27 In (210 mm)

Environment

Product certifications	CSA IEC UL Listed
------------------------	-------------------------

Ordering and shipping details

Category	01200-MG, MJ I-LINE BREAKER
Discount Schedule	DE2
GTIN	00785901507734
Package weight(Lbs)	28.00 Lb(US) (12.701 kg)
Returnability	Yes
Country of origin	US

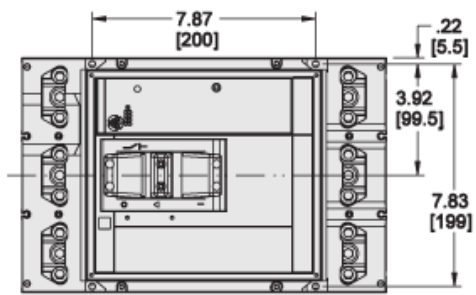
Offer Sustainability

Sustainable offer status	Green Premium product
California proposition 65	WARNING: This product can expose you to chemicals including: DIN-P, which is known to the State of California to cause cancer, and DID-P, which is known to the State of California to cause birth defects or other reproductive harm. For more information go to www.P65Warnings.ca.gov
REACH Regulation	REACH Declaration
EU RoHS Directive	Compliant EU RoHS Declaration
Mercury free	Yes
RoHS exemption information	Yes
China RoHS Regulation	China RoHS Declaration
Environmental Disclosure	Product Environmental Profile
Circularity Profile	End Of Life Information
PVC free	Yes

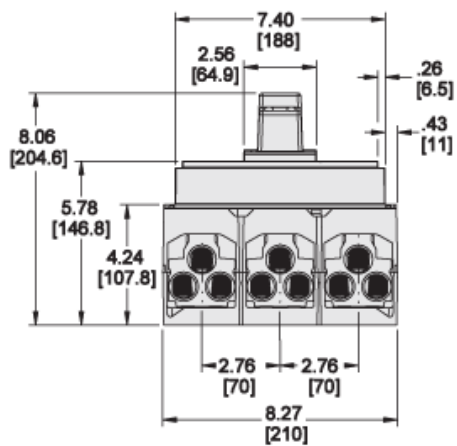
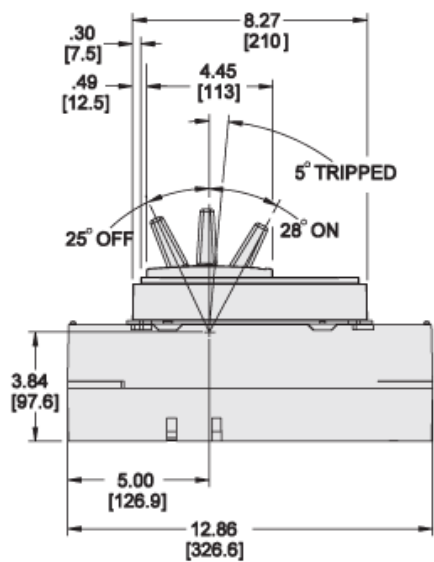
Contractual warranty

Warranty	18 months
----------	-----------

Approximate Dimensions



in.
[mm]



Product Life Status : Commercialised